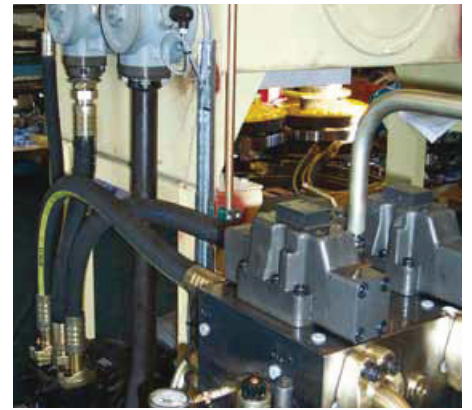


ATZ Series

Suction Filters

Max. 300 l/min



When the ultimate protection is critical

Compact and robust cast aluminium filter design

The ATZ Series locate below tank oil level offering maximum protection for the hydraulic system pump. Pre-filtration takes place by means of a magnetic column. Maximum flow 300 l/min. Suitable for heavy duty industrial applications and recommended for reservoirs with high contamination ingress.



Contact Information:

Parker Hannifin
Hydraulic Filter Division Europe

**European Product
Information Centre**
Freephone: 00800 27 27 5374
(from AT, BE, CH, CZ, DE, EE, ES,
FI, FR, IE, IT, PT, SE, SK, UK)
filtrationinfo@parker.com

www.parker.com/hfde

Product Features:

- ATZ submersible suction filters locate below tank oil level.
- Pre-filtration takes place by means of a magnetic column.
- Maximum flow 300 l/min.
- In-to-Out filter stops contaminated oil leaking back into the system.

ATZ Series

Suction Filters

Features & Benefits

Features	Advantages	Benefits
Cast aluminium construction	Compact and robust durable construction	Suitable for heavy duty industrial applications
Integrated check valve	Filter element can be changed when the filter housing is submerged under the oil in the tank	Improved protection of sophisticated pumps
Magnetic pre-filtration	Removes ferrous particles, even during bypass conditions	Improved fluid cleanliness levels Extended element life time
In-to-Out filtration	All captured contamination retains inside the element	No recontamination of system during change of elements
Wide range of vacuum measurement devices	Continuous filter condition monitoring	Contributes to just-in-time service Improved protection of pump when pressure measurement device connected with pump drive management

Typical Applications

- Wool untangling machine
- Hydraulic winch
- Power packs with sophisticated pumps
- Drilling blocks

The Parker Filtration ATZ Series Submersible Suction Filters.

ATZ Filters are located below the tank's oil level, offering maximum protection for the hydraulic system pump. When removing the element, the check valve closes automatically, eliminating any chance of oil leakage. Pre-filtration takes place by means of a magnet column. Thanks to the 'In-to-Out' filter principle, contaminated oil cannot leak back into the system. ATZ Filters are capable of handling nominal flow rates up to 300 l/min.



Specification

Operating pressure:
Vacuum.

Assembly:
Suction line filter, mounted horizontally against tank side.

Connections:
Threads G1 $\frac{1}{2}$ (ISO 228) or flanges 2" SAE-300PSI.

Filter housing:
Aluminium.

Seal material:
Nitrile, neoprene, fluoroelastomer.

Operating temperature range:
Seal material Nitrile: -40° to +100°C.
Seal material Fluoroelastomer: -20° to +130°C.

Bypass valve:
Blocked.

Degree of filtration:
Determined by multipass test according to ISO 16889.

Flow fatigue characteristics:
Filter media is supported so that the optimal fatigue life is achieved.

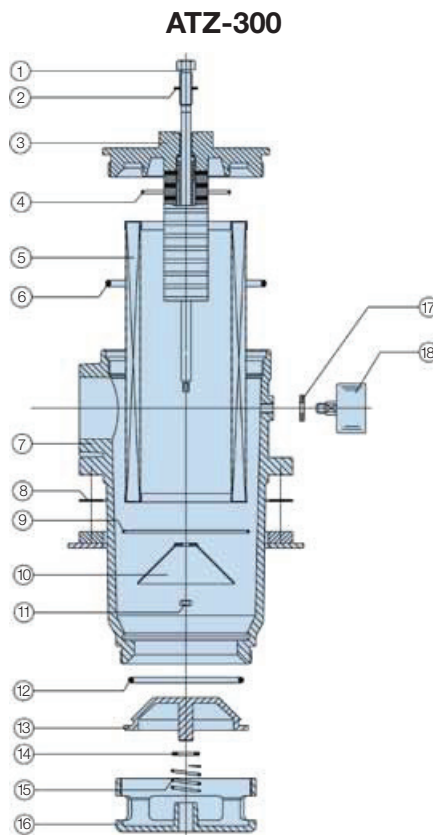
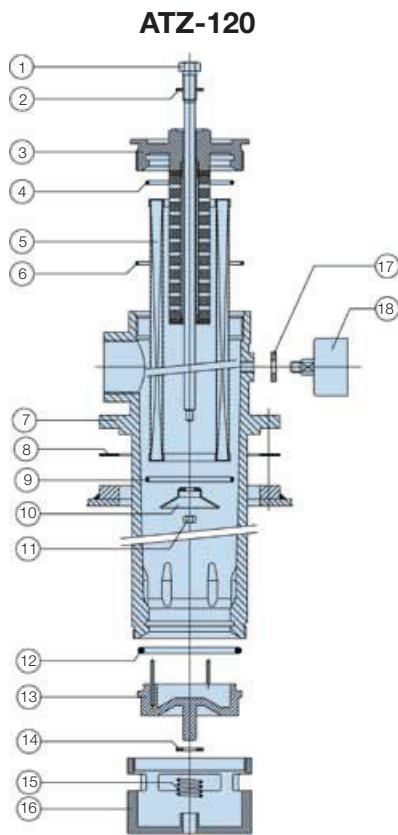
Filtration media:
Microglass III.
10 μ cellulose and 40 μ Stainless Steel.

Element burst+ rating:
10 bar (ISO 2941).

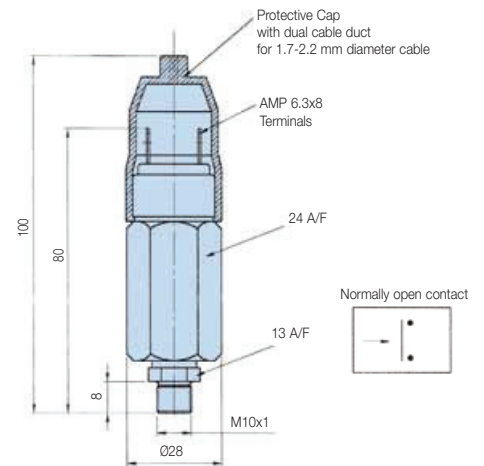
Pressure indicator options:
0.15 bar or 0.30 bar (vacuum gauge).
125-250VAC (LI-0, 5A, Lr-2, 0A) (electrical vacuum switch).
12-28Vdc (Li-1, 0A, Lr-3, 0A) (electrical vacuum switch).

Features:
Unique check valve, enabling element change below oil level.

Filter element:
Element with steel end caps.



Vacuum Switch



ATZ-120 & ATZ-300

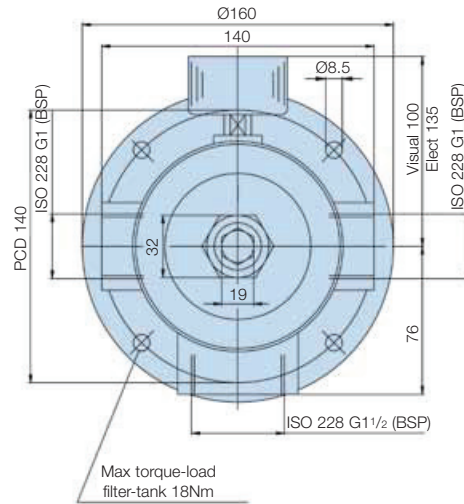
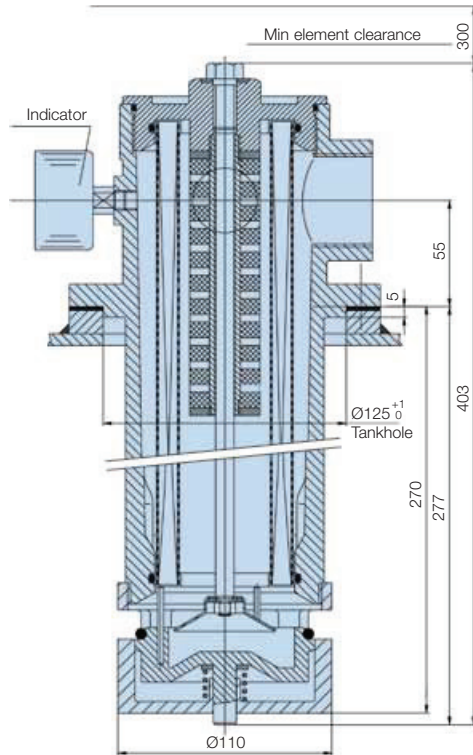
Ref. No.	Description	Ref. No.	Description
1	1 Bolt	10	1 Nut
2	1 Seal ring	11	1 O-ring
3	1 Insert	12	1 O-ring
4	1 O-ring	13	1 Valve
5	1 Element	14	1 Ring
6	1 O-ring	15	1 Spring
7	1 Filter-housing	16	1 Valve-housing
8	1 Gasket	17	1 Bonded seal
9	1 O-ring	18	1 Indicator

ATZ Series

Suction Filters

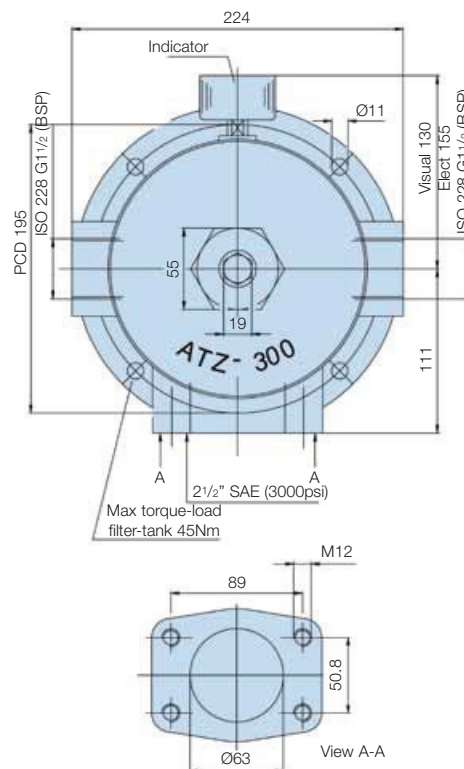
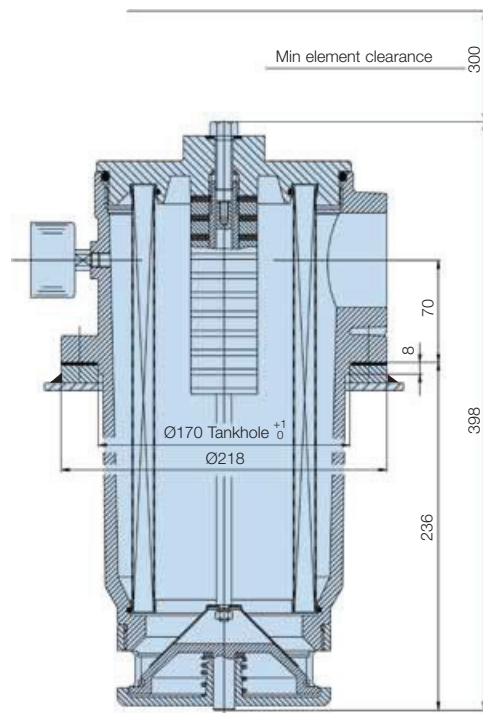
Specification (cont.)

ATZ-120



The Parker suction filters, type ATZ, are designed for submerged operation. The filters contain a unique check valve which automatically closes when the filter insert is removed from the housing, thus enabling element change below oil level. Construction is based on the field proven Parker Filter System.

ATZ-300



Pressure Drop Curves

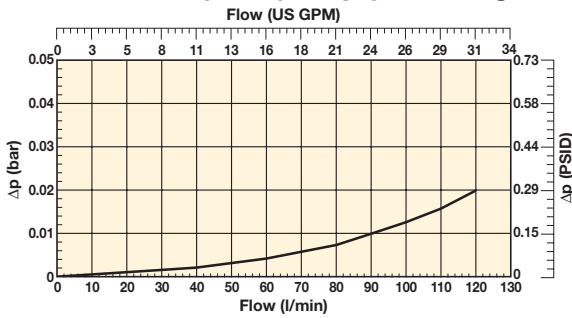
The recommended level of the initial pressure drop for suction filters is 0.03 bar.

If the medium used has a viscosity different from 32cSt, pressure drop over the filter can be estimated as follows:

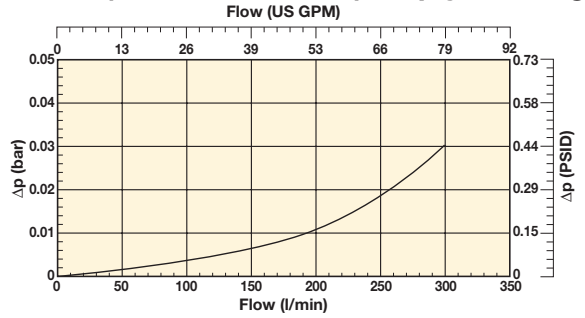
$$\Delta p = (\Delta p_{32} \times \text{viscosity of medium used}) / 32\text{cSt}$$

Filter housing and element pressure drop based on 32cSt fluid viscosity and 0.87 density.

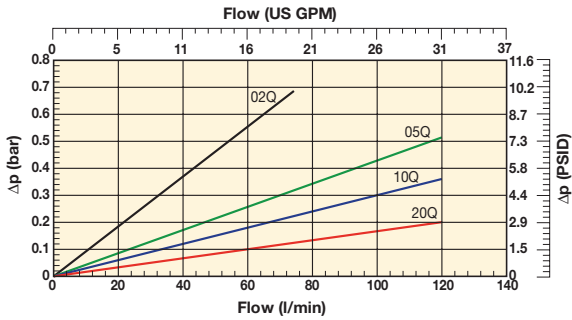
ATZ 1-120 (G1^{1/2}) Empty Housing



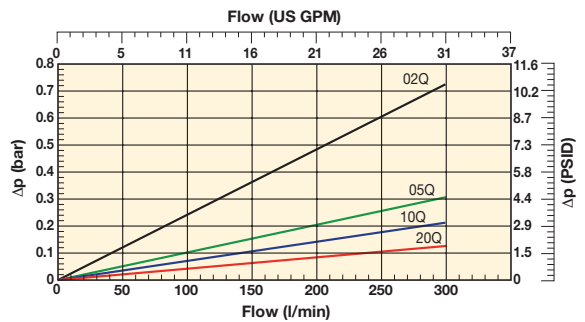
ATZ 300 (2^{1/2} SAE FLANGE) Empty Housing



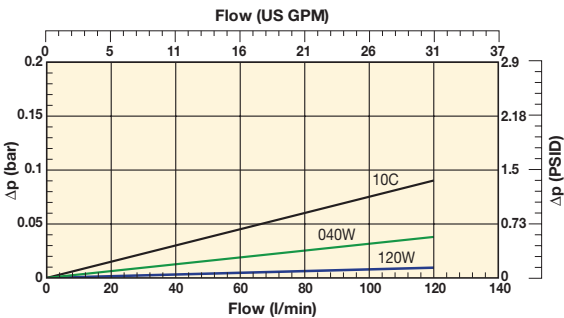
ATZ120 Filter Element Length 1



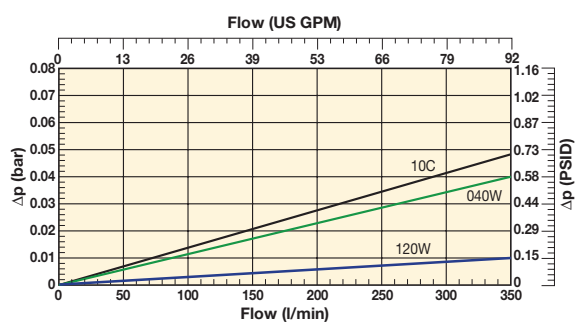
ATZ300 Filter Element Length 2



ATZ120 Filter Element Length 1 (cellulose and stainless steel)



ATZ300 Filter Element Length 2 (cellulose and stainless steel)



ATZ Series

Suction Filters

Ordering Information

Standard products table

Part number	Supersedes	Flow (l/min)	Model number	Element length	Media rating (µ)	Seals	Indicator	Bypass settings	Ports	Included options	Replacement elements	Supersedes
ATZ110CBPXG241	ATZ120-G1½ FXX1-R-10 B M	120	ATZ120	Length 1	10 NOM	Nitrile	Plugged	Blocked	G1½"	None	937958	FXX1-R-10
ATZ110QBXPXG241	ATZ120-G1½ FXW1-R-10 B M	120	ATZ120	Length 1	10 ABS	Nitrile	Plugged	Blocked	G1½"	None	937964Q	FXW1-R-10
ATZ210CBPXR481	ATZ300-S2½-C FXX3-10 B M	300	ATZ300	Length 2	10 NOM	Nitrile	Plugged	Blocked	2½" SAE-3000 PSI	None	937959	FXX3-10
ATZ210QBXPXR481	ATZ300-S2½-C FXW3-10 B M	300	ATZ300	Length 2	10 ABS	Nitrile	Plugged	Blocked	2½" SAE-3000 PSI	None	937965Q	FXW3-10

Note: Filter assemblies ordered from the product configurator below are on extended lead times. Where possible, please make your selection from the table above.

Product configurator

Configurator example ATZ filter

Box 1	Box 2	Box 3	Box 4	Box 5	Box 6	Box 7	Box 8
ATZ	2	10C	B	U2	X	R48	1

Box 1	Box 2	Box 3
Code	Filter type	Degree of filtration
ATZ	Housing	Element media
	Code	Glass fibre
	ATZ 1-120	Microglass III (for disposable elements)
	ATZ 2-300	Cellulose
		Nom. rating
		Disposable element
		Wire mesh
		Abs. rating
		10C 02Q 05Q 10Q 20Q 040W

Box 4
Seal type
Seal material
Code
Nitrile
Fluoroelastomer
Neoprene
B
V
N

Box 5
Indicator
Code
Vacuum gauge, setting -0.15 bar, M10x1
Vacuum gauge, setting -0.3 bar, M10x1
Vacuum switch 42V, -0.15 bar setting, NO, M10 x 1
Vacuum switch 42V, -0.30 bar setting, NO, M10 x 1
Vacuum switch 250 VAC, -0.15 bar setting, NO/NC, M10 x 1
Vacuum switch 250 VAC, -0.30 bar setting, NO/NC, M10 x 1
No indicator, indicator ports not machined
No indicator, indicator port plugged
Other settings for indicators / gauges on request
U1
U2
V1
V2
V3
V4
N
P
on request

Box 6
Bypass valve
Code
Bypass valve
Blocked bypass
X

Box 7
Filter connection
Ports
Code
G1½" + 2 x G1" (For ATZ 1-120 only)
2½" SAE-3000 PSI + 2 x G1½" (For ATZ 2-300 only)
G24
R48

Box 8
Options
Options for ATZ 1-120
Code
1 x G1½" + 1 x G1" plugged
Not plugged
1 x G1" right plugged
2 x G1" left & right plugged
Special
on request
Options for ATZ 2-300
2½" SAE with blind counterflange
No counterflange
Special
1
Q
on request

Highlights Key (Denotes part number availability)

123	Item is standard
123	Item is standard green option
123	Item is semi standard
123	Item is non standard

Degree of filtration						Media code
Average filtration beta ratio β (ISO 16889) / particle size µm [c]						
βx(c)=2	βx(c)=10	βx(c)=75	βx(c)=100	βx(c)=200	βx(c)=1000	
% efficiency, based on the above beta ratio (βx)						
50.0%	90.0%	98.7%	99.0%	99.5%	99.9%	
N/A	N/A	N/A	N/A	N/A	4.5	
N/A	N/A	4.5	5	6	7	
N/A	6	8.5	9	10	12	
6	11	17	18	20	22	
						02Q
						05Q
						10Q
						20Q

Spare element table						
ATZ 1-120	FXX1-R-10	FXW1-R-2	FXW1-R-5	FXW1-R-10	FXW1-R-20	SF1-R-40
Part number spare element	937958	937960Q	937962Q	937964Q	937966Q	937967
ATZ 2-300	FXX3-10	FXW3-2	FXW3-5	FXW3-10	FXW3-20	SF3-40
Part number spare element	937959	937961Q	937963Q	937965Q	944296Q	937968

Visual indicator	
Setting	-0.3 bar
Thread connection	M10x1
Code	FMUJ2VBM10L

Electrical switch	
Setting	-0.3 bar
Thread connection	M10x1
Switch type	NO
Elec.connection	AMP terminal 6.3x0.8
Protection	IP54 (terminal IP00)
Performance	125-250 VAC (Li 1,0A, Lr 2,0A max)
	12-28 Vdc (Li 1,0A, Lr3,0A max)
Code	FMUJ2VBM10L

Note 1: Part numbers featured with bold highlighted codes will ensure a 'standard' product selection.

Note 2: Alternate displayed part number selection will require you to contact Parker Filtration for availability.

ATZ Series Seal Kits	
Part Number	Description
2049010001	NITRILE SEAL KIT ATZ1
2049010060	FLUOROELASTOMER SEAL KIT ATZ1
2049010002	NITRILE SEAL KIT ATZ2

